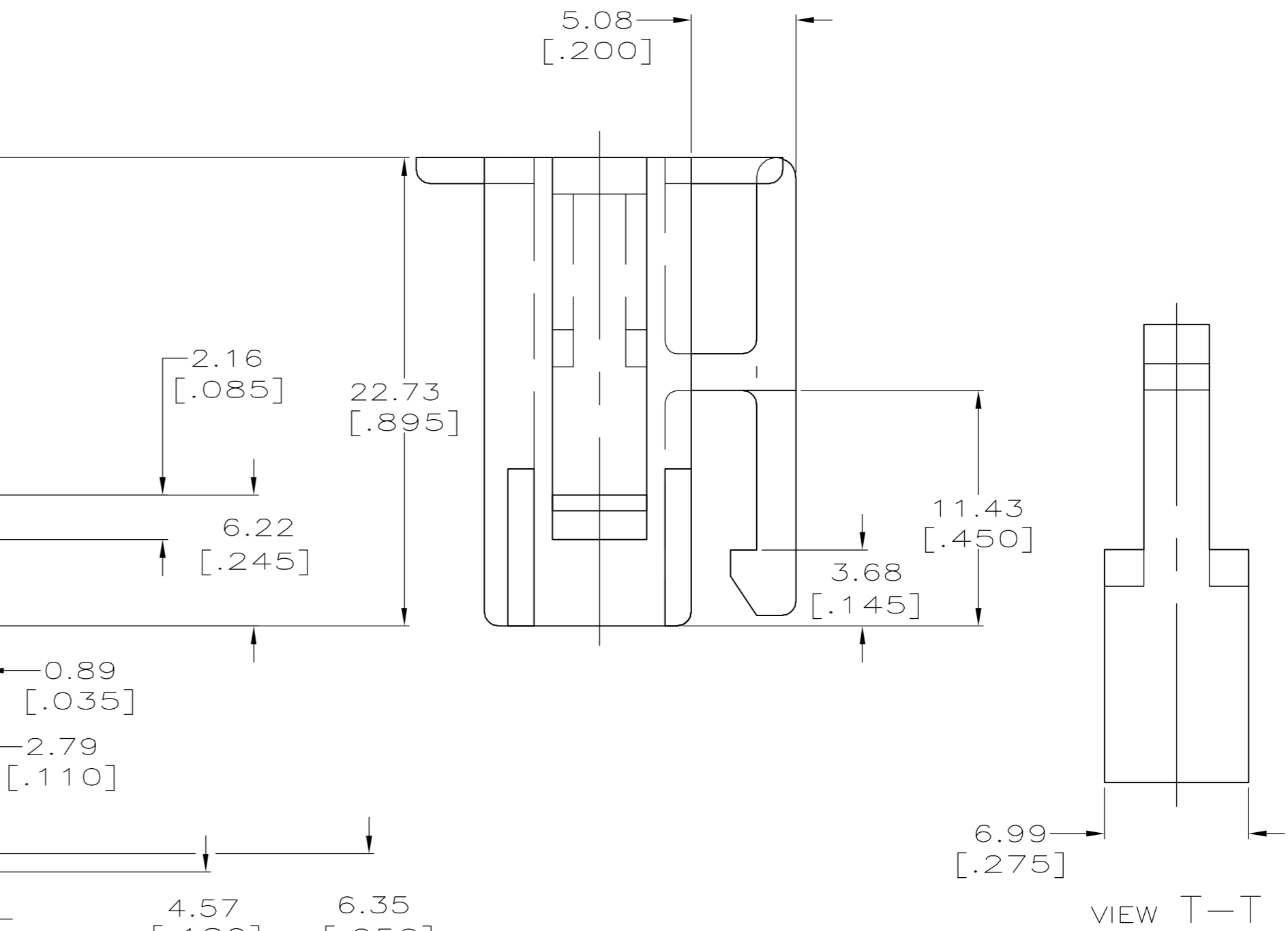
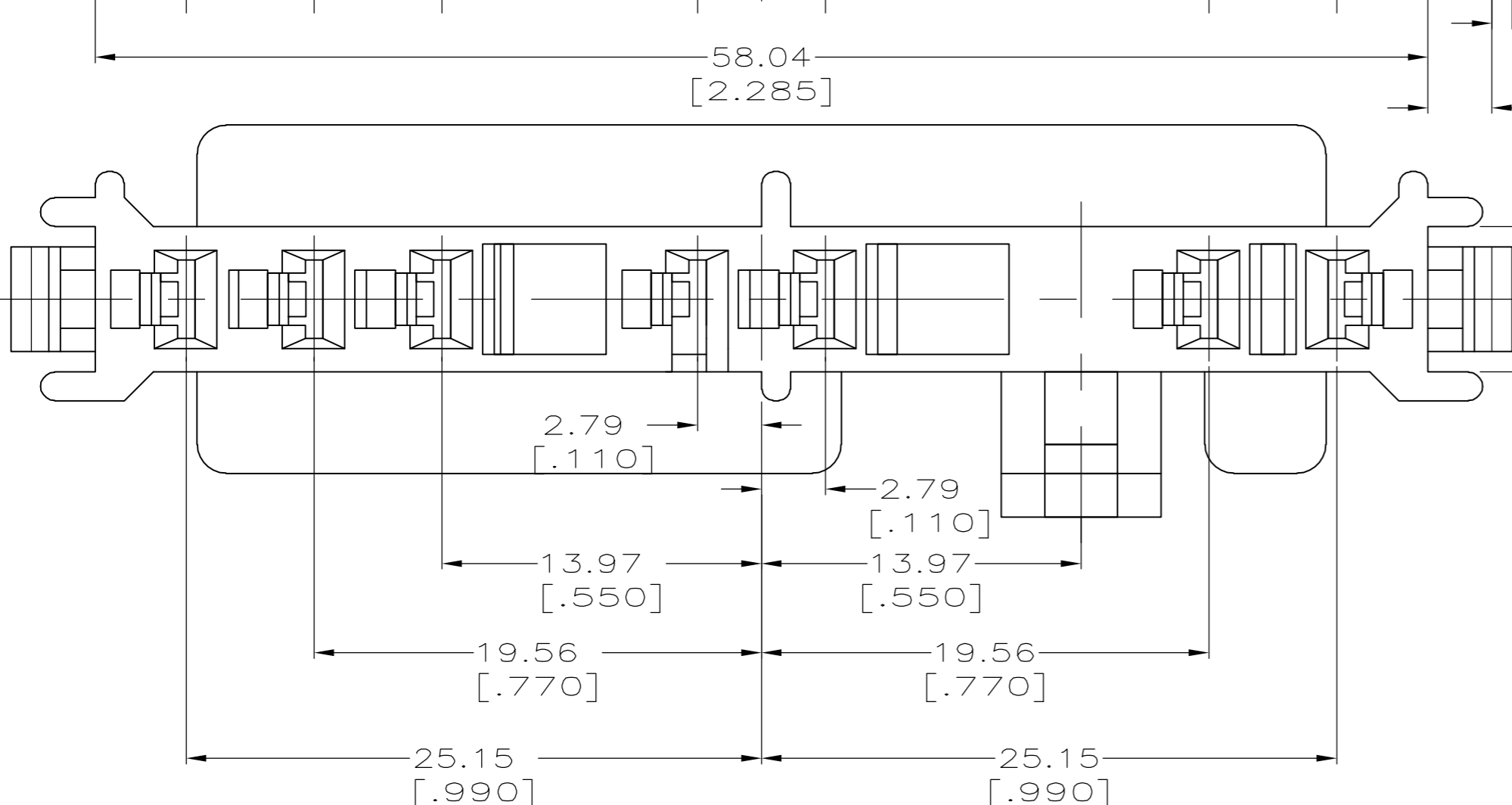
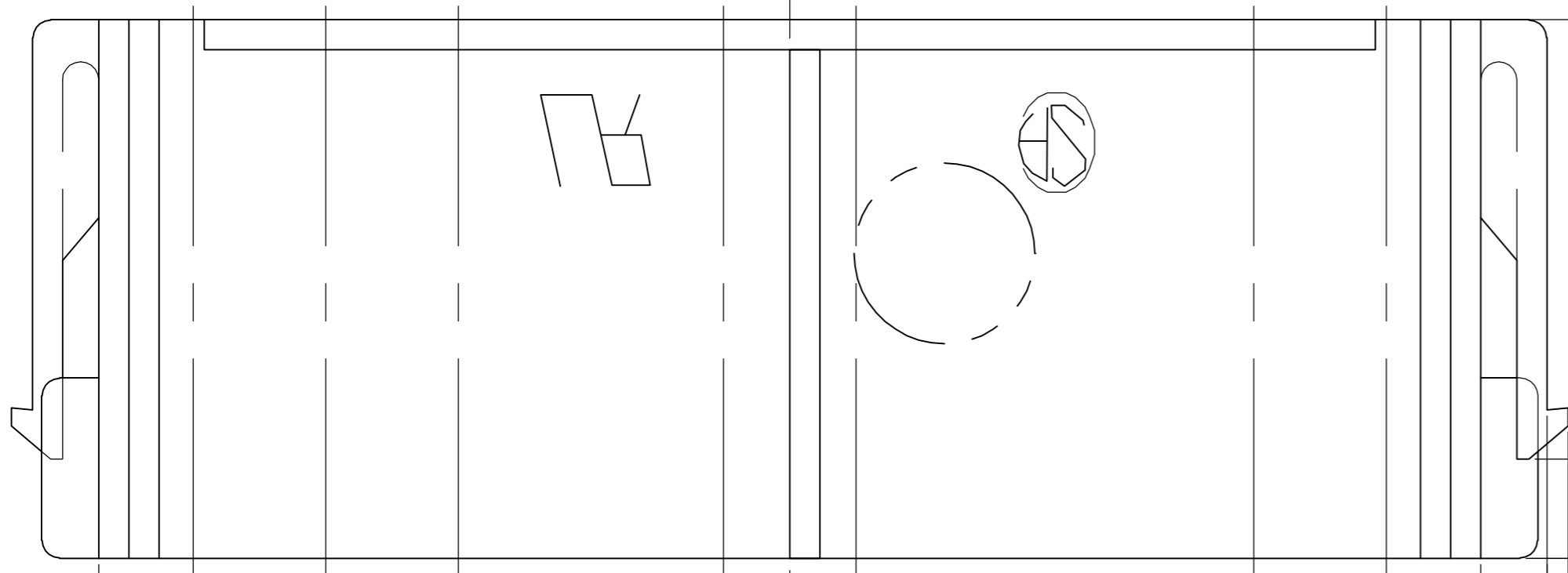
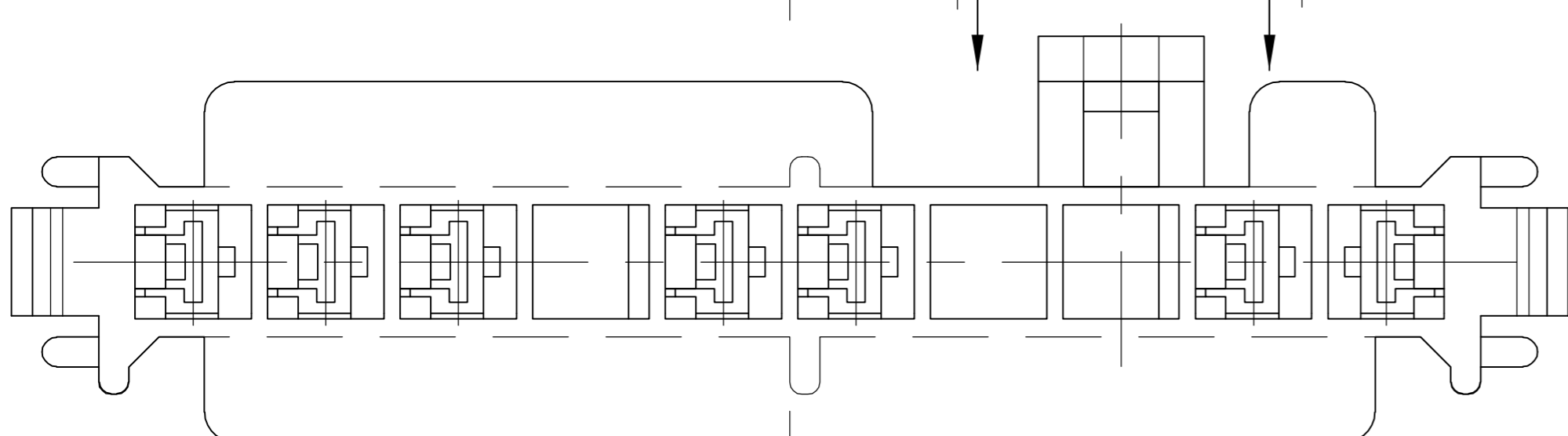
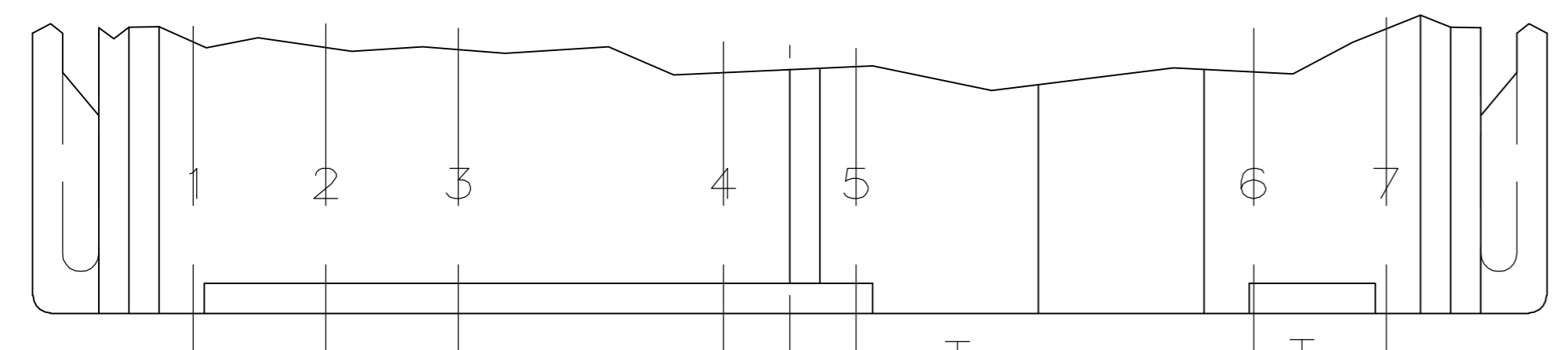


THIS DRAWING IS UNPUBLISHED. RELEASED FOR PUBLICATION
 © COPYRIGHT BY TYCO ELECTRONICS CORPORATION. ALL RIGHTS RESERVED.

LOC	DIST	REVISIONS					
AF	50	P	LTR	DESCRIPTION	DATE	DWN	APVD
		C		REV PER 0G3A-0026-04	21JAN2004	RF	DD

1 HOUSING ACCEPTS (7) 3.18 [.125] BLADE RECEPTACLES
 AMP P/N 770642-1.



VIEW T-T

THIS DRAWING IS A CONTROLLED DOCUMENT.		DWN	02/OCT/96	 Tyco Electronics Corporation Lickdale, PA 17038
		CHK	02/OCT/96	
		JEFF R RUTH		NAME
		APVD		MOTOR HOUSING, 7 CIRCUIT
DIMENSIONS: INCHES		TOLERANCES UNLESS OTHERWISE SPECIFIED:		PRODUCT SPEC
		0 PLC ± -		APPLICATION SPEC
		1 PLC ± -		
		2 PLC ± 0.25 [.010]		SIZE
		3 PLC ± -		CAGE CODE
		4 PLC ± -		DRAWING NO
		ANGLES ± 1°		RESTRICTED TO
MATERIAL		FINISH		WEIGHT
6/6 NYLON		COLOR-NATURAL		A2
		CUSTOMER DRAWING		00779
		SCALE		C=521090
		4:1		1 OF 1
		SHEET		REV
		1		C